

### Features

0.5" digit height (Digital)  
High segment intensity  
Range of colours  
Multiplexing capability  
ROHS Compliant

### Options

Black or Grey face colour  
Colored segments  
Copper terminal pins  
Long terminal pins  
Low current version



### Electro Optical Characteristics $I_F = 20\text{mA}$ ( $T_A = 25^\circ\text{C}$ )

Part Number		Emitting Colour	Wavelength Peak $\lambda_P$ (nm)	Forward voltage $V_F$ (V)	
Common Cathode	Common Anode			Typical	Max
050R1B SB	050R1A SB	Superbright Blue	460	2.9	3.2
050R1B UB	050R1A UB	Ultrabright Blue	460	2.9	3.2
050R1B SG	050R1A SG	Superbright Pure Green	530	3.0	3.4
050R1B UG	050R1A UG	Ultrabright Pure Green	530	3.0	3.4
050R1B UYG	050R1A UYG	Superbright Yellow Green	560	2.0	2.2
050R1B UOR	050R1A UOR	Ultrabright Amber	610	1.9	2.2
050R1B UY	050R1A UY	Ultrabright Yellow	590	1.9	2.1
050R1B SR	050R1A SR	Superbright Red	650	1.9	2.1
050R1B UR	050R1A UR	Ultrabright Red	660	1.9	2.1

### Absolute Maximum Ratings $T_a=25^\circ\text{C}$

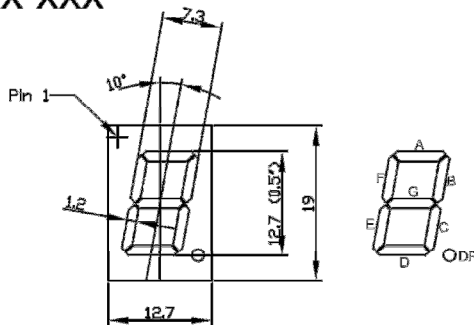
Characteristic	Symbol	Rating	Unit
DC forward current	$I_F$	20	mA
Reverse Voltage	$V_R$	5	V
Operating Temperature	$T_{opr}$	-25 to +80	$^\circ\text{C}$
Storage Temperature	$T_{stg}$	-30 to +85	$^\circ\text{C}$
Lead Soldering Temperature <sup>1</sup>	-	260	$^\circ\text{C}$

<sup>1</sup> 1.6mm from body – max 3 seconds

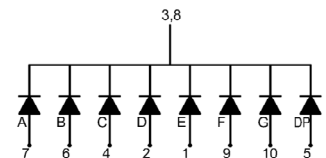
### Product Diagram (All dimensions are in mm)

## 050R1x xxx

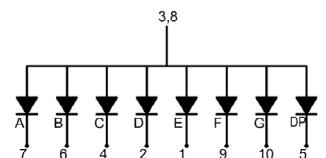
0.5" digital



050R1B xxx  
Common cathode



050R1A xxx  
Common anode



\*Specifications may change due to new materials or product improvement